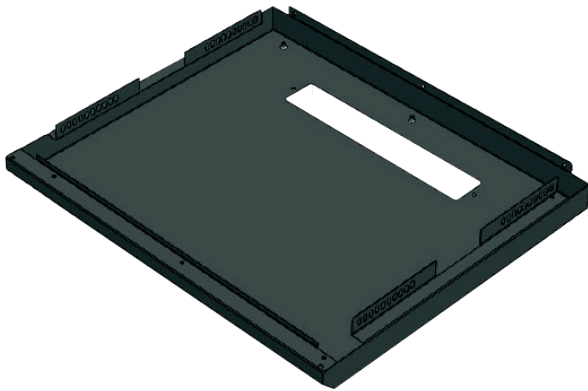


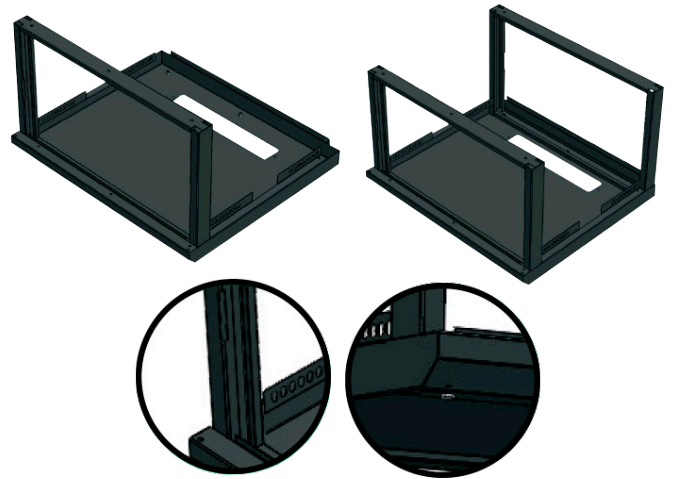
## WALL MOUNT RACK ACRYLIC DOOR



**1. Locate convenient grounding system**

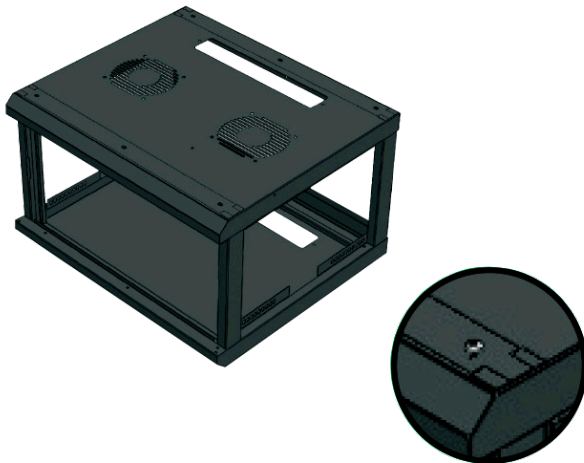


**2. Fixing the main frame structure 1 and 2 to the grounding system.**



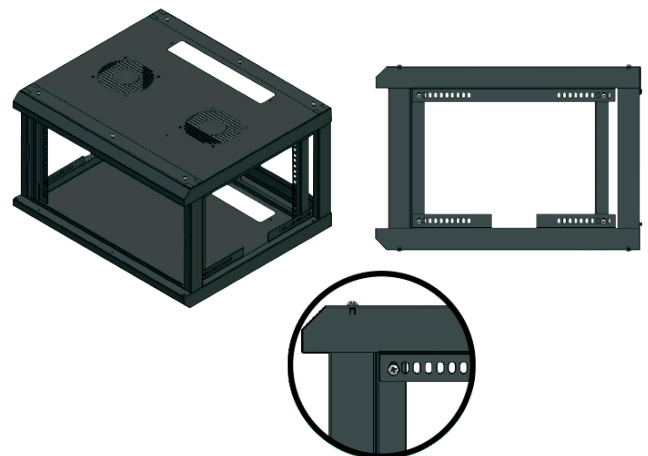
6 UNITS - SCREW M5 X 8 | 6 UNITS - M5 NUTS

**3. Fixing the vented top panel.**



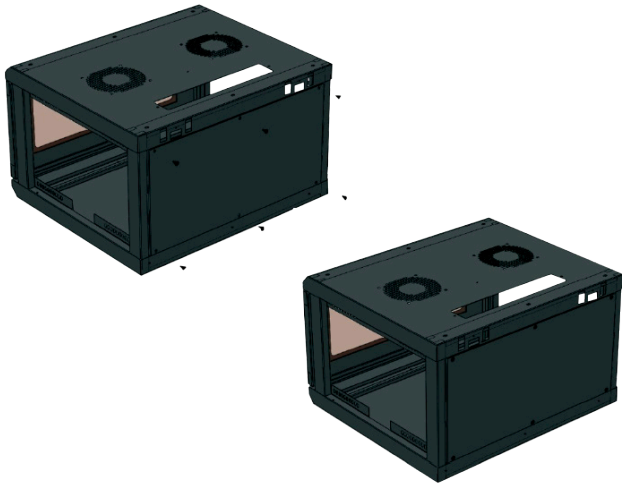
6 UNITS - SCREW M5 X 8 | 6 UNITS - M5 NUTS

**4. Fixing the upper rails support.**



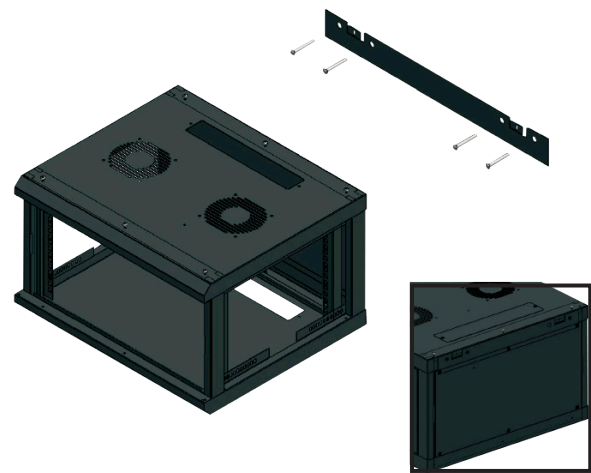
8 UNITS - SCREW M5 X 8

## 5. Fixing the rear with the plastic rivets.



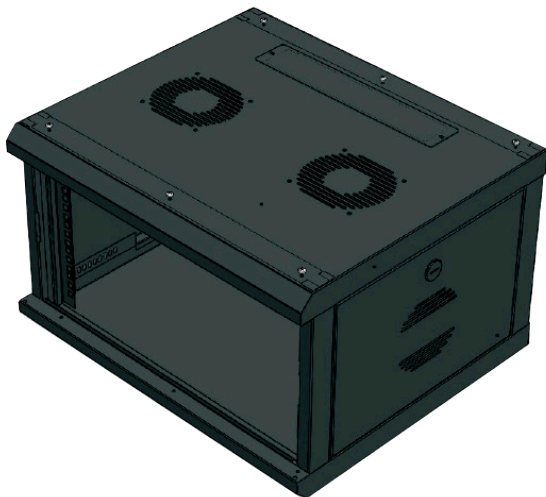
6 UNITS - PLASTIC RIVETS

## 6. Fixing the wall support in to the wall.

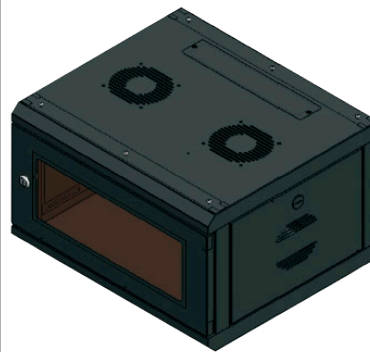


4 UNITS - SELF TAPPING SCREW | 4 UNITS - RIBBED PLASTIC

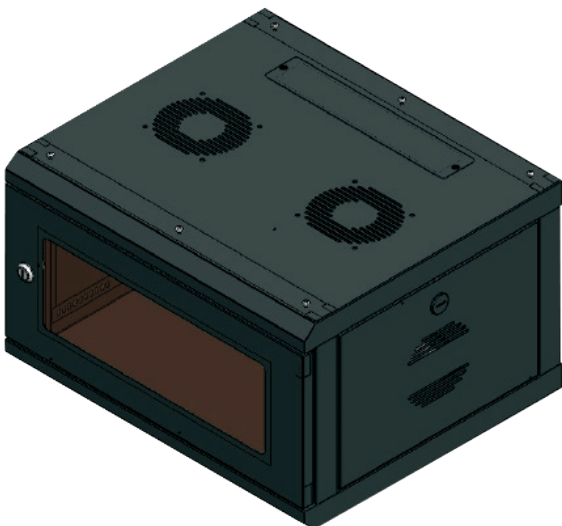
## 7. Fitting the side panels.



## 8. Fixing the door using the nylon door dowel on the bottom.



## 9. Done.



## Parts Kit

Convenient Grounding System	01
Main Frame Structure	02
Vented Top Panel	01
Door	01
Ajustable Mounting Rails	04
Cable Cover	02
Side Panels	02
Rear	01
Wall Support	01
SCREW M5 X8	20
NUT M5	12
SELF TAPPING SCREW M4,8 X 50MM	04
RIBBED PLASTIC N°8	04
PLASTIC RIVET	13
NYLON BUSHING	01